

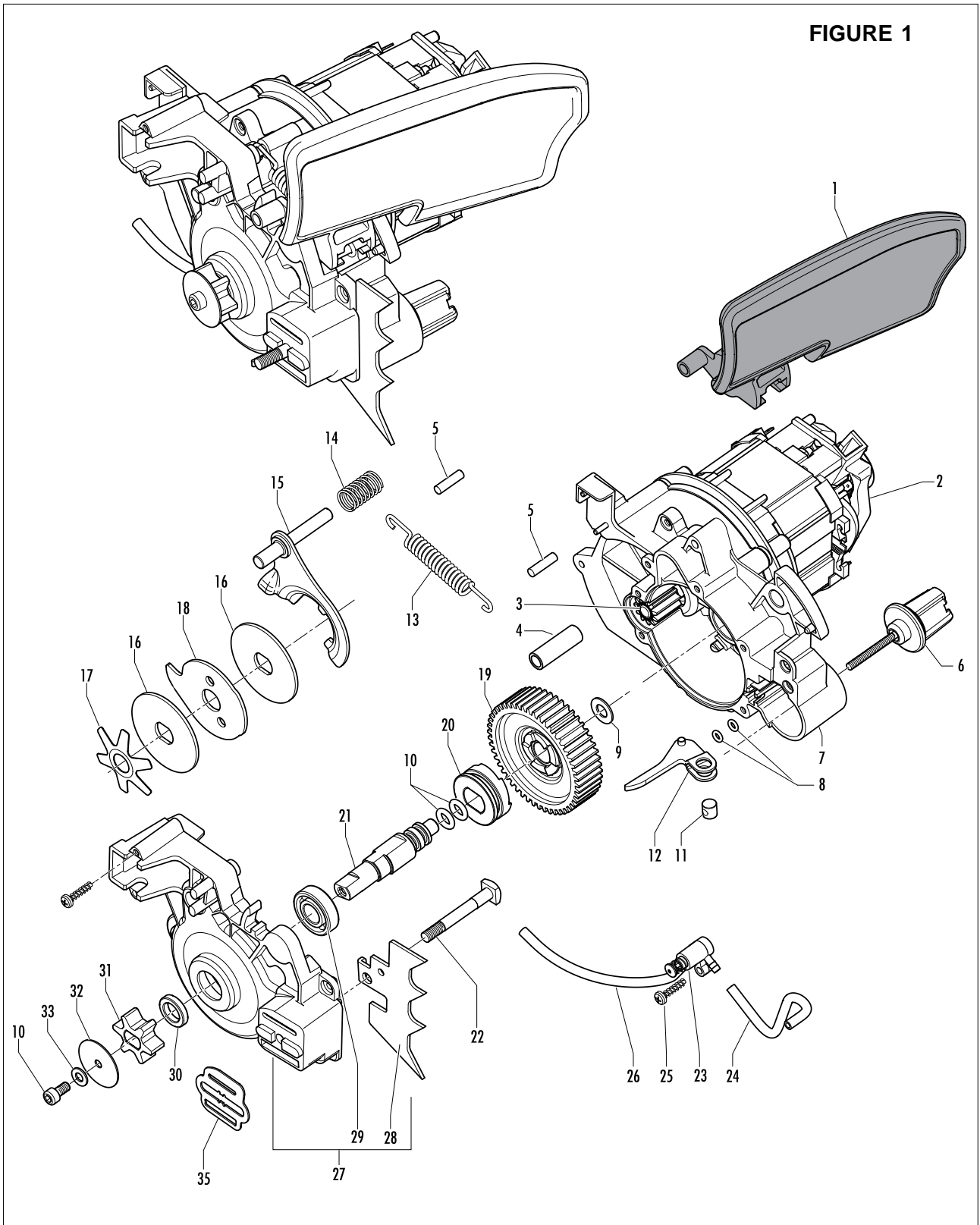
brand	PARTNER
-------	----------------

date	MAR/03	SHEET 1/4
------	--------	-----------

Model	Prefix
P 1835	01

Product number
953900417

FIGURE 1



brand	PARTNER
-------	----------------

date	MAR/03	SHEET 2/4
------	--------	-----------

Model	Prefix
P 1835	01

Product number
953900417

FIGURE 1

pos	P/N McC	P/N ELX	Q.ty	DESCRIPTION
1	5339	538005339	1	BRAKE LEVER
2	5306	538005306	1	MOTOR ASS'Y
3	5307	538005307	1	PINION
4	5372	538005372	1	BUSH D.5,5X9X23
5	5341	538005341	2	PIN
C 6	5327	538005327	1	LOCKING NUT
7	5308	538005308	1	MOTOR MOUNTING
B 8	5355	538005355	2	OR 2015
9	5322	538005322	1	WASHER
10	5381	538005381	2	OR 3030
C 11	5328	538005328	1	CHAIN TENSIONER NUT
C 12	5329	538005329	1	CHAIN TENSIONER ASS'Y
13	5340	538005340	1	BRAKE SPRING
14	5326	538005326	1	SPRING
15	5323	538005323	1	ROCKING LEVER ASS'Y
16	5314	538005314	2	DRIVEN PLATE
17	5311	538005311	1	BELLEVILLE WASHER
18	5313	538005313	1	PLATE
C 19	5320	538005320	1	GEAR
C 20	5315	538005315	1	COUPLING
21	5316	538005316	1	SHAFT
22	241035	538241035	1	STUD BOLT
A 23	5357	538005357	1	OIL PUMP ASS'Y
24	5334	538005334	1	HOSE
25	240862	538240862	1	SCREW M4X18
26	5333	538005333	1	SUCTION HOSE
27	5310	538005310	1	CHAIN BRAKE COVER ASS'Y
28	• 5338	538005338	1	SPIKE
B 29	• 5362	538005362	1	BEARING 6001 ZZ V2 LDS 18
30	5317	538005317	1	PINION SPACER
B 31	5318	538005318	1	PINION
32	5319	538005319	1	WASHER
33	236529	538236529	1	GROWER D.5
34	5354	538005354	1	SCREW M5X10
35	5380	538005380	1	PLATE

A= ALTA ROTAZIONE
B=MEDIA ROTAZIONE
C=BASSA ROTAZIONE

A=HIGH MOVING
B=MEDIUM MOVING
C=SLOW MOVING

A=HAUTE DEMANDE
B=MOYENNE DEMANDE
C=BASSE DEMANDE

A=GROßE NACHFRAGE
B=MITTELMAßIGE
C=WENIGE NACHFRAGE

brand	PARTNER
-------	----------------

date	MAR/03	SHEET 3/4
------	--------	-----------

Model	Prefix
P 1835	01

Product number
953900417

FIGURE 2

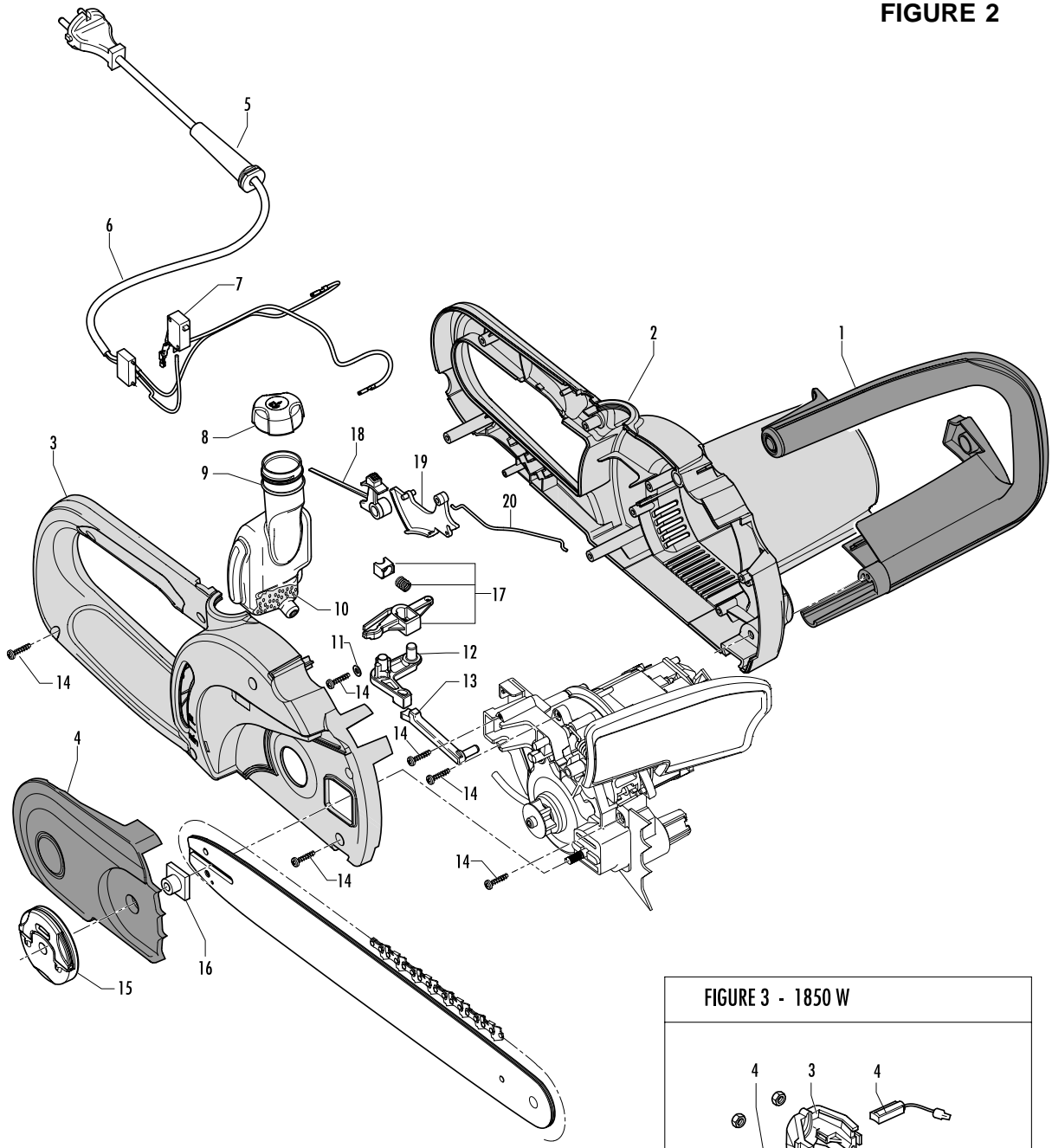
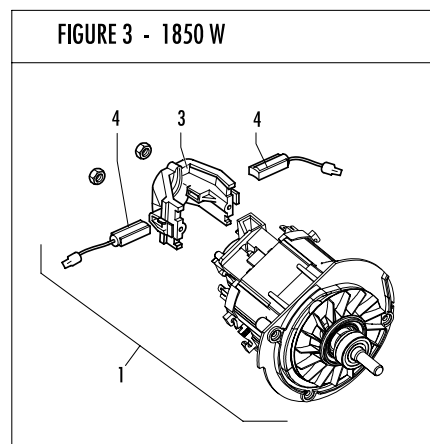


FIGURE 3 - 1850 W



brand	PARTNER
-------	----------------

date	MAR/03	SHEET 4/4
------	--------	-----------

Model	Prefix
P 1835	01

Product number
953900417

FIGURE 2

pos	P/N McC	P/N ELX	Q.ty	DESCRIPTION
1	5351	538005351	1	FRONT HANDLE
2	5304	538005304	1	LEFT CRANKCASE
3	5305	538005305	1	RIGHT CRANKCASE
B 4	5349	538005349	1	PINION COVER
5	241051	538241051	1	WIRE COVER
6	5373	538005373	1	WIRES ASS'Y
C 7	242687	538242687	1	MICRO SWITCH
B 8	5336	538005336	1	OIL CAP
9	5335	538005335	1	OIL TANK
B 10	242365	538242365	1	OIL FILTER
11	235612	538235612	1	WASHER
12	5343	538005343	2	FORK LEVER
13	5342	538005342	1	SAFETY LEVER
14	240862	538240862	14	SCREW M4X18
A 15	5366	538005366	1	LOCKING NUT ASS'Y
16	5378	538005378	1	SPACER
17	249172	538249172	1	ROCKING LEVER ASS'Y
18	5347	538005347	1	SAFETY LEVER
19	5346	538005346	1	TRIGGER
20	5345	538005345	1	TENSION ROD

FIGURE 3

C	1	5306	538005306	1	MOTOR ASS'Y
C	3	00248957	538248957	1	BRUSHES HOLDER
C	4	00248956	538248956	2	BRUSHES

A= ALTA ROTAZIONE
 B=MEDIA ROTAZIONE
 C=BASSA ROTAZIONE

A=HIGH MOVING
 B=MEDIUM MOVING
 C=SLOW MOVING

A=HAUTE DEMANDE
 B=MOYENNE DEMANDE
 C=BASSE DEMANDE

A=GROßE NACHFRAGE
 B=MITTELMAßIGE
 C=WENIGE NACHFRAGE